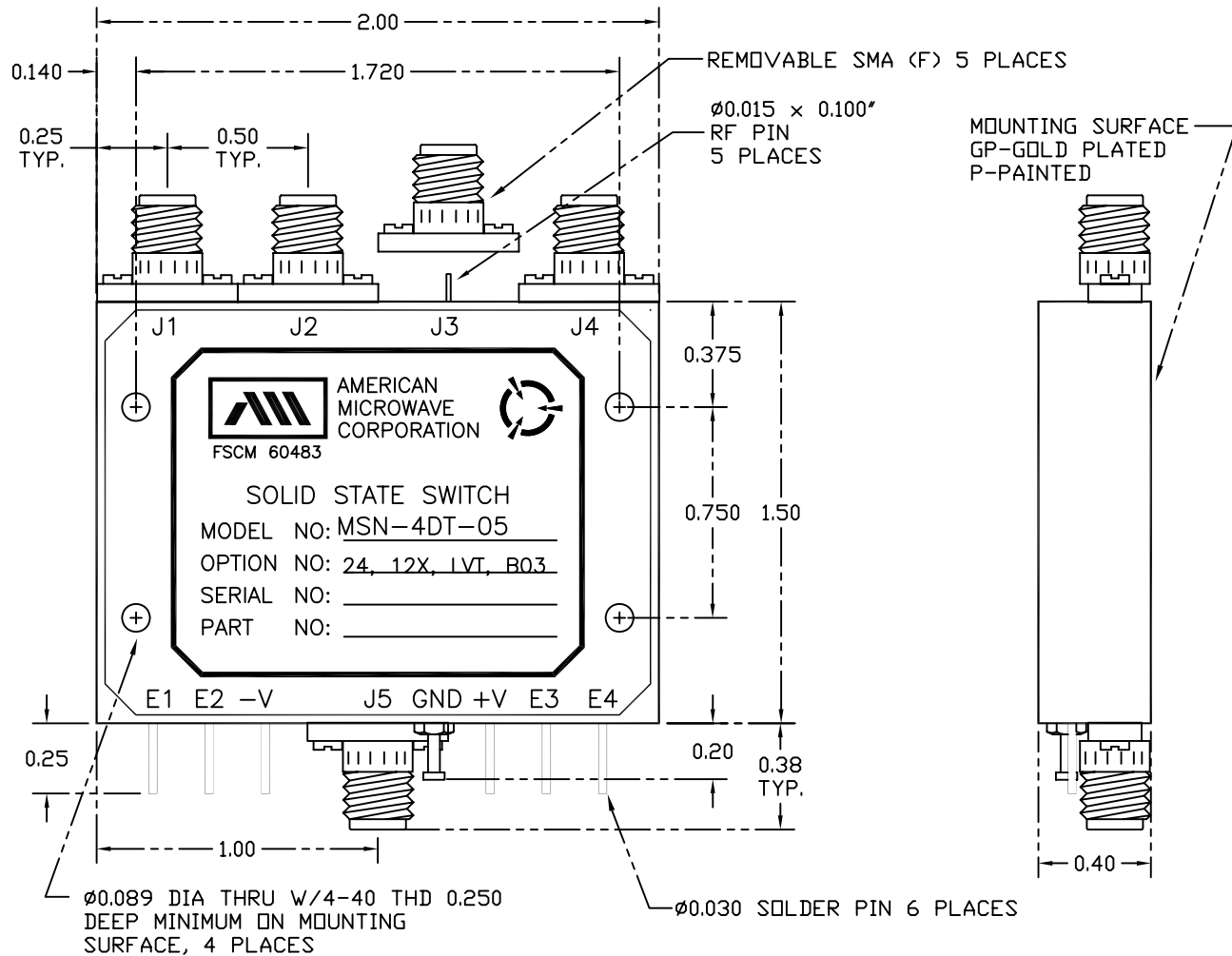



DESCRIPTION:

AMC MODEL MSN-4DT-05-STANDARD OPTION 24, 12X, LVT IS A SINGLE POLE FOUR THROW, ABSORPTIVE/NON-REFLECTIVE SWITCH MODULE WITH VERY LOW INSERTION LOSS, HIGH ISOLATION AND WITH INTEGRAL TTL DRIVER, DESIGNED FOR LOW VIDEO TRANSIENTS AND LOW HARMONIC DISTORTION OVER 2500 TO 3250 MHz BANDWIDTH.

REVISIONS				
ZONE	REV.	DESCRIPTION	DATE	APPROVED
	-	ORIGINAL RELEASE	8/17/99	



ALL DIMENSIONS ARE IN INCHES
 TOLERANCES:
 X.XX ±0.020
 X.XXX ±0.010

PART NO.		 AMERICAN MICROWAVE CORPORATION FREDERICK, MARYLAND		
APPROVALS	DATE	TITLE		
DRAWN <i>PRB</i>	9/19/06	OUTLINE DRAWING MSN-4DT-05-STANDARD OPTION 24, 12X, LVT, B03 SOLID STATE SWITCH		
CHECKED <i>RA</i>	09/21/06	SIZE	FSCM NO.	DWG NO.
ISSUED		A	60483	100-4007-008
		SCALE	SHEET 2 of 4	

DESCRIPTION:

AMC MODEL MSN-4DT-05-STANDARD OPTION 24, 12X, LVT IS A SINGLE POLE FOUR THROW, ABSORPTIVE/NON-REFLECTIVE SWITCH MODULE WITH VERY LOW INSERTION LOSS, HIGH ISOLATION AND WITH INTEGRAL TTL DRIVER, DESIGNED FOR LOW VIDEO TRANSIENTS AND LOW HARMONIC DISTORTION OVER 2500 TO 3250 MHz BANDWIDTH.

SPECIFICATIONS:

- FREQUENCY: 2500 MHz TO 3250 MHz
- INSERTION LOSS: 1.5 dB MAXIMUM
- ISOLATION (ANY PORT):80 dB MINIMUM
- VSWR (ANY PORT, ANY STATE): 1.5:1
- SWITCHING SPEED: <30 ns
(50% TTL TO 10%/90% RF)
- RISE/FALL TIME: <10 ns
(10% TO 90% RF)
(90% TO 10% RF)
- MAXIMUM TOGGLE RATE: >20 MHz
(50% DC):
- RF CONNECTORS: SMA FEMALE
- DC POWER SUPPLY: +5V ±10% @ 200 mA MAXIMUM
..... -5V ±10% @ 100 mA MAXIMUM
- CONTROL: TTL LOGIC "1"=ON "0"=OFF
- CONTROL INTERFACE: DC SOLDER PINS
- HARMONIC DISTORTION: ≤ 70dB @ +10 dBm I/P
- FLATNESS ACROSS BAND: ±0.5dB
(ON STATE)
- VIDEO LEAKAGE: 100 mV PEAK TO PEAK, 500 MHz BANDWIDTH (-60 dBm TO -65 dBm LEAKAGE POWER OR ENERGY IN THE BAND OF INTEREST)
- 1 dB COMPRESSION POINT: +20 dBm
- 2 TONE 3RD ORDER INTERCEPT POINT, POUT OdBm: +35 dBm
- 2 TONE 2RD ORDER INTERCEPT POINT, POUT OdBm: +55 dBm
- 0.1 dB PASS BAND: 2500 MHz TO 3250 MHz
- WEIGHT: 3.0 OUNCES TYPICAL
- SIZE: 2.00 (L) X 1.50 (W) X 0.40 (H)

ENVIRONMENTAL RATINGS:

- TEMPERATURE: -10°C TO +55°C (OPERATING)
..... -40°C TO +71°C (STORAGE)
- HUMIDITY: 95% OVER TEMPERATURE
- SHOCK: MIL-STD-202F, METHOD 213B COND. B
- VIBRATION: MIL-STD-202F, METHOD 204D COND. B
- ALTITUDE: MIL-STD-202F, METHOD 105C COND. B
- TEMPERATURE CYCLE: MIL-STD-202F, METHOD 107D COND. A

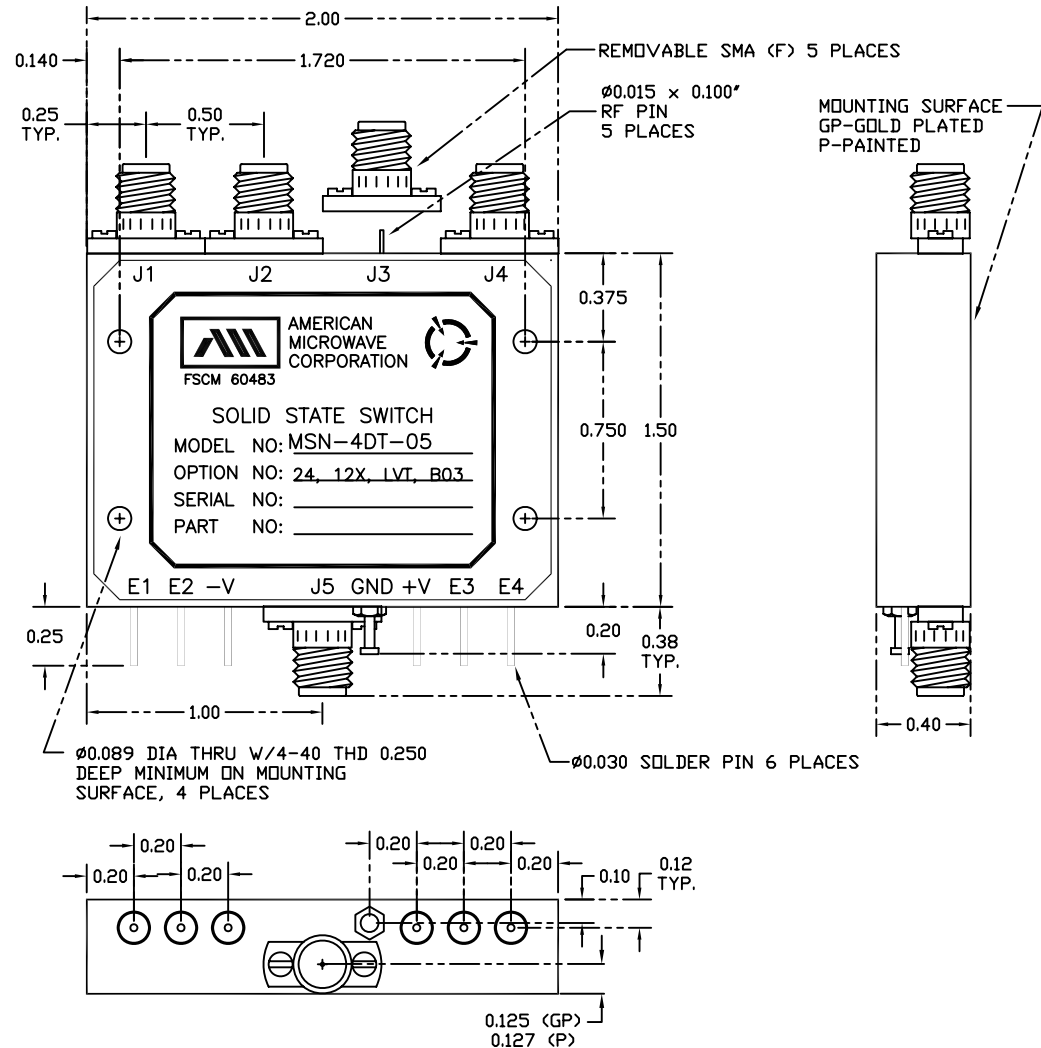
NOTE: THE ABOVE SPECIFICATIONS ARE SUBJECT TO CHANGE OR REVISION

ALL DIMENSIONS ARE IN INCHES

TOLERANCES:

- X.XX ±0.020
- X.XXX ±0.010

REVISIONS				
ZONE	REV.	DESCRIPTION	DATE	APPROVED
-	-	ORIGINAL RELEASE	8/17/99	



NOTE:

DT=WITH DRIVER, NON-REFLECTIVE/ABSORPTIVE

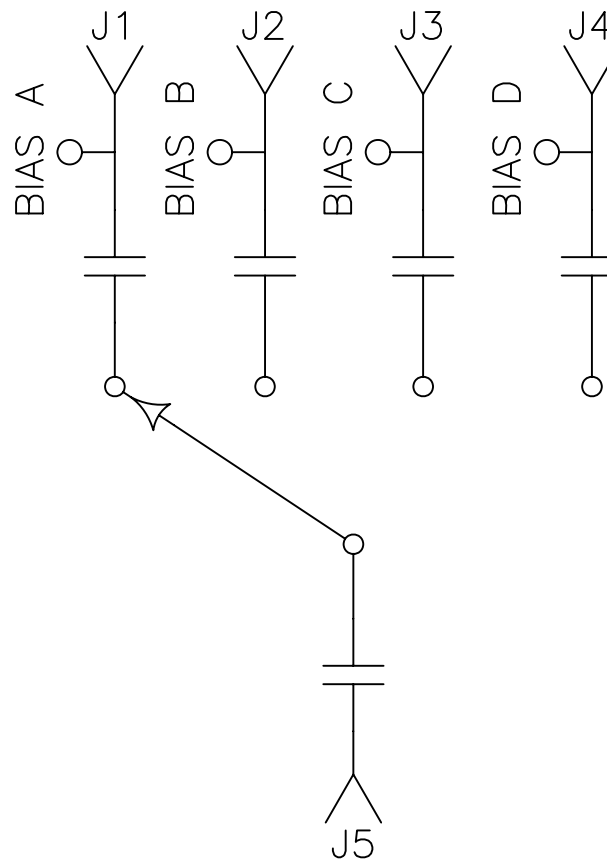
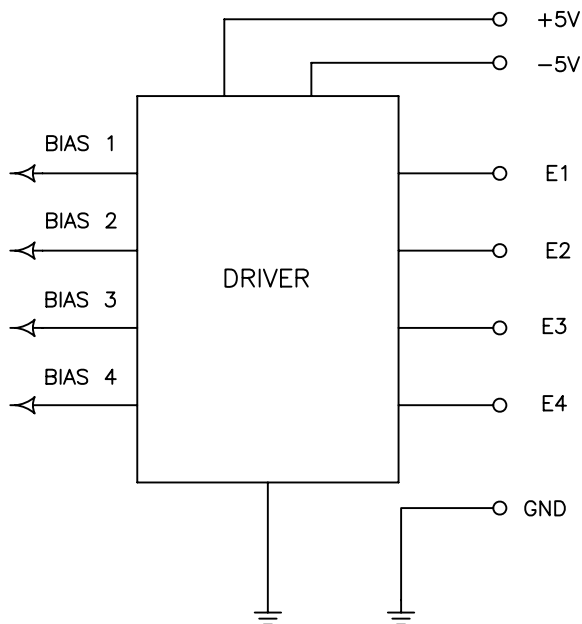
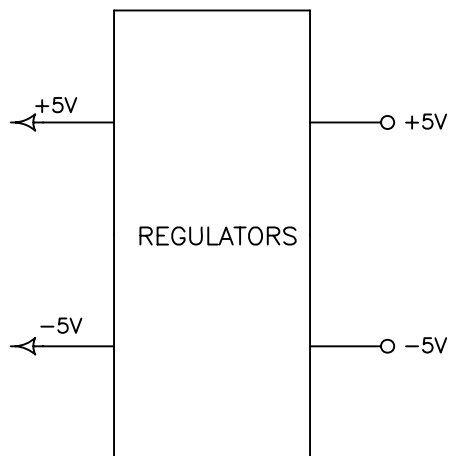
PART NO.		AMERICAN MICROWAVE CORPORATION FREDERICK, MARYLAND	
APPROVALS	DATE	TITLE	
DRAWN <i>PRB</i>	9/19/06	PRODUCT FEATURE MSN-4DT-05-STANDARD OPTION 24, 12X, LVT, B03 SOLID STATE SWITCH	
CHECKED <i>RA</i>	09/21/06	SIZE	REV.
ISSUED		A	-
		FSCM NO.	DWG NO.
		60483	100-4007-008
		SCALE	SHEET 1 of 4


DESCRIPTION:

AMC MODEL MSN-4DT-05-STANDARD OPTION 24, 12X, LVT IS A SINGLE POLE FOUR THROW, ABSORPTIVE/NON-REFLECTIVE SWITCH MODULE WITH VERY LOW INSERTION LOSS, HIGH ISOLATION AND WITH INTEGRAL TTL DRIVER, DESIGNED FOR LOW VIDEO TRANSIENTS AND LOW HARMONIC DISTORTION OVER 2500 TO 3250 MHz BANDWIDTH.

REVISIONS				
ZONE	REV.	DESCRIPTION	DATE	APPROVED
	-	ORIGINAL RELEASE	9/19/06	

FUNCTIONAL BLOCK DIAGRAM



PART NO.		 AMERICAN MICROWAVE CORPORATION FREDERICK, MARYLAND		
APPROVALS	DATE	TITLE		
DRAWN <i>PRB</i>	9/19/06	FUNCTIONAL SCHEMATIC		
CHECKED <i>RA</i>	09/21/06	MSN-4DT-05-STANDARD		
ISSUED		OPTION 24, 12X, LVT, B03		
		SIZE	FSCM NO.	DWG NO.
		A	60483	100-4007-008
		SCALE		REV. -
				SHEET 3 of 4